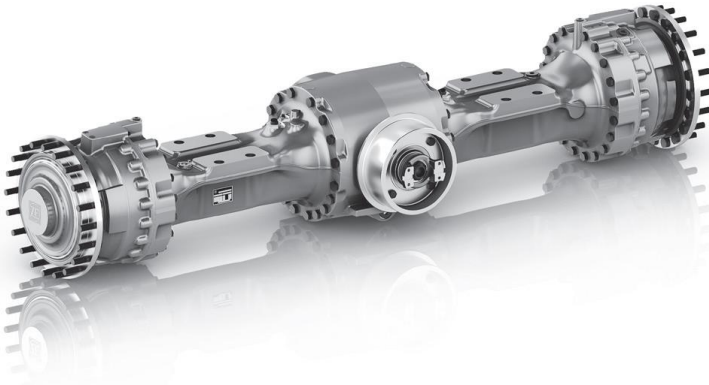




MANTRAC

AFTERMARKET



**AFTERMARKET
QUICK GUIDE
ZF COMPONENT
SELECTOR**





VOLVO

MODEL	MACHINE CLASS	COMPONENT	COMPONENT NUMBER
A25	ADT	TRANSMISSION	ECOMAT (5HP)
A25B	ADT	TRANSMISSION	ECOMAT (5HP)
A25C	ADT	TRANSMISSION	ECOMAT (5HP)
A30	ADT	TRANSMISSION	ECOMAT (5HP)
A30B	ADT	TRANSMISSION	ECOMAT (5HP)
A30C	ADT	TRANSMISSION	ECOMAT (5HP)
G930	GRADER	AXLE	MT-G 3080
G940	GRADER	AXLE	MT-G 3080
G946	GRADER	AXLE	MT-G 3080
G960	GRADER	AXLE	MT-G 3080
STADTBUS (CV)	CITY BUS	AXLE	AV 132
STADTBUS (CV)	CITY BUS	AXLE	AVN 132
G990	GRADER	AXLE	MT-G 3090
G970/976	GRADER	AXLE	MT-G 3090
L40	WHEEL LOADER	AXLE	AV 230
L40	WHEEL LOADER	AXLE	AVG 185
L45	WHEEL LOADER	TRANSMISSION	2 HC 85
L45	WHEEL LOADER	AXLE	AVG 185
L45	WHEEL LOADER	AXLE	MT-L 3045
L50	WHEEL LOADER	AXLE	AVG 185
L50	WHEEL LOADER	AXLE	MT-L 3045
L20	WHEEL LOADER	AXLE	AVG 150
L20	WHEEL LOADER	AXLE	MT-L 3015
L25	WHEEL LOADER	AXLE	AVG 150
L25	WHEEL LOADER	AXLE	MT-L 3015
L30	WHEEL LOADER	AXLE	AV 230
L30	WHEEL LOADER	AXLE	AVG 185
L35	WHEEL LOADER	AXLE	AV 230
L35	WHEEL LOADER	AXLE	AVG 185
EW160D	WHEELED EXCAVATOR	TRANSMISSION	2 HL 270
EW160D	WHEELED EXCAVATOR	AXLE	MS-E 3060
EW160D	WHEELED EXCAVATOR	AXLE	MT-E 3060
EW180D	WHEELED EXCAVATOR	TRANSMISSION	2 HL 290
EW180D	WHEELED EXCAVATOR	AXLE	MS-E 3060
EW180D	WHEELED EXCAVATOR	AXLE	MT-E 3060
EW140D	WHEELED EXCAVATOR	TRANSMISSION	2 HL 270
EW140D	WHEELED EXCAVATOR	AXLE	MS-E 3050
EW140D	WHEELED EXCAVATOR	AXLE	MT-E 3050
EW210D (EW230C)	WHEELED EXCAVATOR	TRANSMISSION	2 HL 290
EW210D (EW230C)	WHEELED EXCAVATOR	AXLE	MS-E 3070
EW210D (EW230C)	WHEELED EXCAVATOR	AXLE	MT-E 3070
L28	LOADER	AXLE	AVG 150
L28	LOADER	AXLE	MT-L 3015
G930	GRADER	AXLE	MT-G 3080
G940	GRADER	AXLE	MT-G 3080
G946	GRADER	AXLE	MT-G 3080
G960	GRADER	AXLE	MT-G 3080
G970	GRADER	AXLE	MT-G 3090
G976/990	GRADER	AXLE	MT-G 3090
STADT- UND ÜBERLANDBUS (CV)	CITY BUS	AXLE	AV 132
STADT- UND ÜBERLANDBUS (CV)	CITY BUS	AXLE	AVN 132
STADTBUS (CV)	CITY BUS	AXLE	AV 132
STADTBUS (CV)	CITY BUS	AXLE	AVN 132
EW145B PRIME	WHEELED EXCAVATOR	TRANSMISSION	2 HL 270
EWB205D	WHEELED EXCAVATOR	TRANSMISSION	2 HL 290
EWB205D	WHEELED EXCAVATOR	AXLE	MS-E 3070
EWB205D	WHEELED EXCAVATOR	AXLE	MT-E 3070
EW145B PRIME KOMPLETT MIT ZF	WHEELED EXCAVATOR	TRANSMISSION	2 HL 270
EW145B PRIME KOMPLETT MIT ZF	WHEELED EXCAVATOR	AXLE	MS-E 3050
EW145B PRIME KOMPLETT MIT ZF	WHEELED EXCAVATOR	AXLE	MT-E 3050
EW140E KOMPLETT ZF	WHEELED EXCAVATOR	TRANSMISSION	2 HL 270
EW140E KOMPLETT ZF	WHEELED EXCAVATOR	AXLE	MS-E 3050
EW140E KOMPLETT ZF	WHEELED EXCAVATOR	AXLE	MT-E 3050
G970	GRADER	AXLE	MT-G 3090
G976/990	GRADER	AXLE	MT-G 3090
G930B	GRADER	AXLE	MT-G 3080
G946B	GRADER	AXLE	MT-G 3080
G940B	GRADER	AXLE	MT-G 3080
G960B	GRADER	AXLE	MT-G 3080



DOOSAN

1

MODEL	MACHINE CLASS	COMPONENT	COMPONENT NUMBER
DX140W-3	WHEELED EXCAVATOR	TRANSMISSION	2 HL 250
DX140W-3	WHEELED EXCAVATOR	AXLE	MS-E 3050
DX140W-3	WHEELED EXCAVATOR	AXLE	MT-E 3050
DL200	WHEEL LOADER	TRANSMISSION	4 WG 160
DL250	WHEEL LOADER	TRANSMISSION	4 WG 190
DL250	WHEEL LOADER	AXLE	MT-L 3075
DL250	WHEEL LOADER	AXLE	MT-L 3085
DH130W-V	WHEELED EXCAVATOR	TRANSMISSION	2 HL 250
DH130W-V	WHEELED EXCAVATOR	AXLE	MS-E 3050
DH130W-V	WHEELED EXCAVATOR	AXLE	MT-E 3050
DH150W-V (T14)	WHEELED EXCAVATOR	TRANSMISSION	2 HL 250
DH210W-7 (T21)	WHEELED EXCAVATOR	TRANSMISSION	2 HL 290
DH210W-7 (T21)	WHEELED EXCAVATOR	AXLE	MS-E 3070
DH210W-7 (T21)	WHEELED EXCAVATOR	AXLE	MT-E 3070
DL505, DL 507	WHEEL LOADER	TRANSMISSION	5 WG 200
MT26	ARTICULATED DUMP TRUCK	TRANSMISSION	6 WG 260
MT26	ARTICULATED DUMP TRUCK	AXLE	MS/MT-D 3000
MT26	ARTICULATED DUMP TRUCK	AXLE	MS/MT-D 3000
MT31	ARTICULATED DUMP TRUCK	TRANSMISSION	6 WG 260
MT31	ARTICULATED DUMP TRUCK	AXLE	MS/MT-D 3000
MT31	ARTICULATED DUMP TRUCK	AXLE	MS/MT-D 3000
MT51	ARTICULATED DUMP TRUCK	AXLE	MT-D 3105
MT36II (KOMATSU-GET)	ARTICULATED DUMP TRUCK	AXLE	MS/MT-D 3000
MT36II (KOMATSU-GET)	ARTICULATED DUMP TRUCK	AXLE	MS/MT-D 3000
MT36II (ZF-GET)	ARTICULATED DUMP TRUCK	TRANSMISSION	6 WG 310
MT36II (ZF-GET)	ARTICULATED DUMP TRUCK	AXLE	MS/MT-D 3000
MT36II (ZF-GET)	ARTICULATED DUMP TRUCK	AXLE	MS/MT-D 3000
MT26 AB 2008 MIT NAF	ARTICULATED DUMP TRUCK	TRANSMISSION	6 WG 260
DA40-5 (FRÜHER MT41)	ARTICULATED DUMP TRUCK	TRANSMISSION	8 EP 420
DA40-5 (FRÜHER MT41)	ARTICULATED DUMP TRUCK	AXLE	MS/MT-D 3000
DA40-5 (FRÜHER MT41)	ARTICULATED DUMP TRUCK	AXLE	MS/MT-D 3000
DA30-5 (FRÜHER MT31)	ARTICULATED DUMP TRUCK	TRANSMISSION	8 EP 320
ALLE		TRANSMISSION	3 WG 116
ALLE		TRANSMISSION	3 WG 161
ALLE		TRANSMISSION	3 WG 94
ALLE		TRANSMISSION	ERGOPOWER M
ALLE		TRANSMISSION	4 WG 211
MEGA 160	WHEEL LOADER	TRANSMISSION	4 WG 130
DX140W MIT DANA	WHEELED EXCAVATOR	TRANSMISSION	2 HL 250
DX140W MIT DANA	WHEELED EXCAVATOR	SPUR BEVEL GEAR	GK 25
S180W-V (DX190W (T18W))	WHEELED EXCAVATOR	TRANSMISSION	2 HL 290
S180W-V (DX190W (T18W))	WHEELED EXCAVATOR	AXLE	MS-E 3060
S180W-V (DX190W (T18W))	WHEELED EXCAVATOR	AXLE	MT-E 3060



DOOSAN

2

MODEL	MACHINE CLASS	COMPONENT	COMPONENT NUMBER
DL250	WHEEL LOADER	TRANSMISSION	4 WG 190
DL250	WHEEL LOADER	AXLE	MT-L 3075
DL250	WHEEL LOADER	AXLE	MT-L 3085
H200 (DL200A)	WHEEL LOADER	TRANSMISSION	4 WG 160
H200 (DL200A)	WHEEL LOADER	AXLE	MT-L 3075
V 19/21		TRANSMISSION	2 HL 290
V 19/21		AXLE	MS-E 3070
V 19/21		AXLE	MT-E 3060
DL300	WHEEL LOADER	TRANSMISSION	4 WG 210
DL300	WHEEL LOADER	AXLE	MT-L 3085
DL300	WHEEL LOADER	AXLE	MT-L 3095
DL350	WHEEL LOADER	AXLE	MT-L 3095
DL350	WHEEL LOADER	TRANSMISSION	4 WG 230
DL420	WHEEL LOADER	TRANSMISSION	4 WG 260
DL420	WHEEL LOADER	AXLE	MT-L 3095
DL420	WHEEL LOADER	AXLE	MT-L 3105
DL450	WHEEL LOADER	TRANSMISSION	4 WG 260
DL450	WHEEL LOADER	AXLE	MT-L 3105
DL200 WITH ZF	WHEEL LOADER	TRANSMISSION	4 WG 160
DL200 WITH ZF	WHEEL LOADER	AXLE	MT-L 3075
DL220	WHEEL LOADER	TRANSMISSION	4 WG 160
DL220	WHEEL LOADER	AXLE	MT-L 3075
DL550	WHEEL LOADER	TRANSMISSION	4 WG 310
DL550	WHEEL LOADER	AXLE	MT-L 3115
DL550	WHEEL LOADER	AXLE	MT-L 3125
DX140W-5	WHEELED EXCAVATOR	TRANSMISSION	2 HL 270
DX140W-5	WHEELED EXCAVATOR	AXLE	MS-E 3050
DX140W-5	WHEELED EXCAVATOR	AXLE	MT-E 3050
DX170W-5	WHEELED EXCAVATOR	TRANSMISSION	2 HL 270
DX170W-5	WHEELED EXCAVATOR	AXLE	MS-E 3060
DX170W-5	WHEELED EXCAVATOR	AXLE	MT-E 3060
DX210W-5	WHEELED EXCAVATOR	TRANSMISSION	2 HL 290
DX210W-5	WHEELED EXCAVATOR	AXLE	MS-E 3070
DX210W-5	WHEELED EXCAVATOR	AXLE	MT-E 3070



DEERE

MODEL	MACHINE CLASS	COMPONENT	COMPONENT NUMBER
SERIE 5000	TRACTOR	AXLE	APL
SERIE 6000	TRACTOR	AXLE	APL
624K	WHEEL LOADER	TRANSMISSION	4 WG 190
310K	BACKHOE LOADER	AXLE	MS-B 3035
310K	BACKHOE LOADER	AXLE	MT-B
310K	BACKHOE LOADER	TRANSMISSION	WG 90
524K	WHEEL LOADER	TRANSMISSION	4 WG 160
544K	WHEEL LOADER	TRANSMISSION	4 WG 160
644K	WHEEL LOADER	TRANSMISSION	4 WG 210
724K	WHEEL LOADER	TRANSMISSION	4 WG 210
UTILITY (6000)	TRACTOR	AXLE	APL
ALL BTW. 51 AND 58 KW		AXLE	APL
UTILITY (6000) (MIT ZF)	TRACTOR	TRACTOR GEARBOX	ECCOM
435 (BRAND: LEYLAND DEERE)	TRACTOR	TRANSMISSION	ERGOPOWER S
435 (BRAND: LEYLAND DEERE)	TRACTOR	AXLE	MT-B 3065
SERIE 5000/6000/7000	TRACTOR	AXLE	APL
SERIE 5000/6000/7000	TRACTOR	AXLE	APL 350
BELL 250D	ARTICULATED DUMP TRUCK	TRANSMISSION	ERGOPOWER M
BELL 300D	ARTICULATED DUMP TRUCK	TRANSMISSION	ERGOPOWER M
ALL (WITH FUNK AXLE; ZF		TRANSMISSION	ERGOPOWER M
624K	WHEEL LOADER	TRANSMISSION	4 WG 190
644K/724K	WHEEL LOADER	TRANSMISSION	4 WG 210
370 E (FRÜHER 350 E)	ARTICULATED DUMP TRUCK	TRANSMISSION	8 EP 370
460 E (FRÜHER 450 E)	ARTICULATED DUMP TRUCK	TRANSMISSION	8 EP 470
410 E (FRÜHER 400 E)	ARTICULATED DUMP TRUCK	TRANSMISSION	8 EP 420
444K	WHEEL LOADER	TRANSMISSION	4 WG 130
444K	WHEEL LOADER	AXLE	MT-L 3065
844K-II	WHEEL LOADER	AXLE	MT-L 3115
844K-II	WHEEL LOADER	AXLE	MT-L 3125
844K-II	WHEEL LOADER	TRANSMISSION	5 WG 310
744K-II/824K-II	WHEEL LOADER	TRANSMISSION	5 WG 260
524K/544K	WHEEL LOADER	TRANSMISSION	4 WG 160
260E, 310E (FRÜHER BELL 250D U. 310D)	ARTICULATED DUMP TRUCK	TRANSMISSION	8 EP 320
260E, 310E (FRÜHER BELL 250D U. 310D)	ARTICULATED DUMP TRUCK	AXLE	MT-D 3095
310 G (SG)	BACKHOE LOADER	TRANSMISSION	4 WG 94
310 G (SG)	BACKHOE LOADER	AXLE	MS/MT-B 3000
310 G (SG)	BACKHOE LOADER	AXLE	MS/MT-B 3000
410 G	BACKHOE LOADER	TRANSMISSION	ERGOPOWER S
410 G	BACKHOE LOADER	AXLE	MS/MT-B 3000
410 G	BACKHOE LOADER	AXLE	MS/MT-B 3000
710 G	BACKHOE LOADER	TRANSMISSION	ERGOPOWER S
710 G	BACKHOE LOADER	AXLE	MS/MT-B 3000
710 G	BACKHOE LOADER	AXLE	MS/MT-B 3000
210 TLB (THIBODEAUX)		AXLE	MS/MT-B 3000
210 TLB (THIBODEAUX)		TRANSMISSION	4 WG 90
UTILITY (6000) (MIT ZF)	TRACTOR	TRACTOR GEARBOX	ECCOM
UTILITY (6000)	TRACTOR	TRACTOR GEARBOX	ECCOM



LIEBHERR

MODEL	MACHINE CLASS	COMPONENT	COMPONENT NUMBER
ALLE		TRANSMISSION	2 HL 290
ALLE		CONCRETE MIXER DRIVE	ECOMIX
ALLE		AXLE	MS-E 3070
ALLE		AXLE	MT-E 3070
L538	WHEEL LOADER	AXLE	MT-L 3075
L556	WHEEL LOADER	AXLE	MT-L 3085
L556	WHEEL LOADER	AXLE	MT-L 3095
L580	WHEEL LOADER	AXLE	MT-L 3105
L582	WHEEL LOADER	AXLE	MT-L 3105
ALLE		CONCRETE MIXER DRIVE	ECOMIX
L556	WHEEL LOADER	AXLE	MT-L 3085
L580	WHEEL LOADER	AXLE	MT-L 3105
L550	WHEEL LOADER	AXLE	MT-L 3085
L566	WHEEL LOADER	AXLE	MT-L 3105
A 934 C LITRONIC UMSCHLAGGERÄT	HIGH RISE EXCAVATOR	TRANSMISSION	2 HL 290
TA 230	ARTICULATED DUMP TRUCK	TRANSMISSION	8 EP 320
TA 240	ARTICULATED DUMP TRUCK	TRANSMISSION	8 EP 470
A910 - A912 COMPACT LITRONIC (ALT: A309 - 312 LITRONIC)	WHEELED EXCAVATOR	TRANSMISSION	2 HL 270
A914 (COMPACT) LITRONIC (ALT: A314/AD LITRONIC)	WHEELED EXCAVATOR	TRANSMISSION	2 HL 270
A914 (COMPACT) LITRONIC (ALT: A314/AD LITRONIC)	WHEELED EXCAVATOR	AXLE	MS-E 3050
A914 (COMPACT) LITRONIC (ALT: A314/AD LITRONIC)	WHEELED EXCAVATOR	AXLE	MT-E 3050
A916 LITRONIC (ALT: A316 / A900 C (ZW) LITRONIC)	WHEELED EXCAVATOR	TRANSMISSION	2 HL 290
A916 LITRONIC (ALT: A316 / A900 C (ZW) LITRONIC)	WHEELED EXCAVATOR	AXLE	MS-E 3060
A916 LITRONIC (ALT: A316 / A900 C (ZW) LITRONIC)	WHEELED EXCAVATOR	AXLE	MT-E 3060
A918, A920, A922 LITRONIC (ALT: A904 C / A914 B LITRONIC)	WHEELED EXCAVATOR	TRANSMISSION	2 HL 290
A918, A920, A922 LITRONIC (ALT: A904 C / A914 B LITRONIC)	WHEELED EXCAVATOR	AXLE	MS-E 3060
A918, A920, A922 LITRONIC (ALT: A904 C / A914 B LITRONIC)	WHEELED EXCAVATOR	AXLE	MT-E 3060
A924, A928 LITRONIC (ALT: A914 B / A 924 B(LI)/A914 BS)	WHEELED EXCAVATOR	TRANSMISSION	2 HL 290
A924, A928 LITRONIC (ALT: A914 B / A 924 B(LI)/A914 BS)	WHEELED EXCAVATOR	AXLE	MS-E 3070
A924, A928 LITRONIC (ALT: A914 B / A 924 B(LI)/A914 BS)	WHEELED EXCAVATOR	AXLE	MT-E 3070
ALLE		CONCRETE MIXER DRIVE	ECOMIX
ALLE		CONCRETE MIXER DRIVE	ECOMIX
L 556 2PLUS2	WHEEL LOADER	AXLE	MT-L 3095
L 566 2PLUS2	WHEEL LOADER	AXLE	MT-L 3095
L 566 2PLUS2	WHEEL LOADER	AXLE	MT-L 3105
L 576 2PLUS2	WHEEL LOADER	AXLE	MT-L 3105
L 580 2PLUS2	WHEEL LOADER	AXLE	MT-L 3105
L 586 2PLUS2	WHEEL LOADER	AXLE	MT-L 3125
L 550 2PLUS2	WHEEL LOADER	AXLE	MT-L 3085
L 550 2PLUS2	WHEEL LOADER	AXLE	MT-L 3095
L550 XPOWER	WHEEL LOADER	AXLE	MT-L 3085
L550 XPOWER	WHEEL LOADER	AXLE	MT-L 3095
L550 XPOWER	WHEEL LOADER	TRANSMISSION	CP 210
L556 XPOWER	WHEEL LOADER	AXLE	MT-L 3085
L556 XPOWER	WHEEL LOADER	AXLE	MT-L 3095
L556 XPOWER	WHEEL LOADER	TRANSMISSION	CP 210
L566 XPOWER	WHEEL LOADER	AXLE	MT-L 3095
L566 XPOWER	WHEEL LOADER	AXLE	MT-L 3105
L566 XPOWER	WHEEL LOADER	TRANSMISSION	CP 290
L576 XPOWER	WHEEL LOADER	AXLE	MT-L 3105
L576 XPOWER	WHEEL LOADER	TRANSMISSION	CP 290
L580 XPOWER	WHEEL LOADER	AXLE	MT-L 3105
L580 XPOWER	WHEEL LOADER	TRANSMISSION	CP 290
L586 XPOWER	WHEEL LOADER	AXLE	MT-L 3125
L586 XPOWER	WHEEL LOADER	TRANSMISSION	CP 310
ALLE		CONCRETE MIXER DRIVE	ECOMIX



JCB

MODEL	MACHINE CLASS	COMPONENT	COMPONENT NUMBER
426ZX	WHEEL LOADER	TRANSMISSION	4 WG 160
426ZX	WHEEL LOADER	AXLE	MT-L 3075
426ZX	WHEEL LOADER	AXLE	MT-L 3085
422ZX	WHEEL LOADER	TRANSMISSION	4 WG 115
422ZX	WHEEL LOADER	AXLE	MT-L 3065
VM46D/PD, VM66D/PD BZW. VM 75D/PD MIT ZF-ACHSEN	COMPACTOR	AXLE	MT-C 3035
VM115 BZW.116/132/146/166/186 BZW.200	COMPACTOR	AXLE	MT-C 3075
VM46D	COMPACTOR	AXLE	MT-C 3035
VM146D, VM166D	COMPACTOR	AXLE	MT-C 3075
VM200D	COMPACTOR	AXLE	MT-C 3075
VM75D, VM75PD	COMPACTOR	AXLE	MT-C 3035
714	ARTICULATED DUMP TRUCK	TRANSMISSION	6 WG 160
714	ARTICULATED DUMP TRUCK	AXLE	MT-L 3075
718	ARTICULATED DUMP TRUCK	TRANSMISSION	6 WG 160
718	ARTICULATED DUMP TRUCK	AXLE	MT-L 3085
722	ARTICULATED DUMP TRUCK	TRANSMISSION	6 WG 210
418 FARMMASTER	WHEEL LOADER	TRANSMISSION	6 WG 160
418 FARMMASTER	WHEEL LOADER	AXLE	MT-L 3075
416 / 416 FARMMASTER	WHEEL LOADER	TRANSMISSION	4 WG 115
416 / 416 FARMMASTER	WHEEL LOADER	TRANSMISSION	6 WG 160
427, 437, 457 (ALT: 426, 426S, 436, 456, 434S)	WHEEL LOADER	TRANSMISSION	4 WG 190
427, 437, 457 (ALT: 426, 426S, 436, 456, 434S)	WHEEL LOADER	TRANSMISSION	4 WG 210
427, 437, 457 (ALT: 426, 426S, 436, 456, 434S)	WHEEL LOADER	AXLE	MT-L 3085
427, 437, 457 (ALT: 426, 426S, 436, 456, 434S)	WHEEL LOADER	TRANSMISSION	5 WG 160
JS200W	WHEELED EXCAVATOR	TRANSMISSION	2 HL 270
JS200W	WHEELED EXCAVATOR	AXLE	MS-E 3070
JS200W	WHEELED EXCAVATOR	AXLE	MT-E 3070
411/412/417	WHEEL LOADER	TRANSMISSION	WG 115
403	WHEEL LOADER	AXLE	AVG 150
403	WHEEL LOADER	AXLE	MT-L 3010
JS160/175W (ALT)	WHEELED EXCAVATOR	TRANSMISSION	2 HL 270
JS160/175W (ALT)	WHEELED EXCAVATOR	AXLE	MS-E 3060
JS160/175W (ALT)	WHEELED EXCAVATOR	AXLE	MT-E 3060
JS145W (ALT)	WHEELED EXCAVATOR	TRANSMISSION	2 HL 270
JS145W (ALT)	WHEELED EXCAVATOR	AXLE	MS-E 3060
JS145W (ALT)	WHEELED EXCAVATOR	AXLE	MT-E 3060
JS145W MIT ZF	WHEELED EXCAVATOR	TRANSMISSION	2 HL 270
JS145W MIT ZF	WHEELED EXCAVATOR	AXLE	MS-E 3060
JS145W MIT ZF	WHEELED EXCAVATOR	AXLE	MT-E 3060
JS145W MIT ITL	WHEELED EXCAVATOR	TRANSMISSION	2 HL 270
JS160/175W MIT ZF	WHEELED EXCAVATOR	TRANSMISSION	2 HL 270
JS160/175W MIT ZF	WHEELED EXCAVATOR	AXLE	MS-E 3060
JS160/175W MIT ZF	WHEELED EXCAVATOR	AXLE	MT-E 3060
JS160/175W MIT ITL	WHEELED EXCAVATOR	TRANSMISSION	2 HL 270
430ZX	WHEEL LOADER	TRANSMISSION	4 WG 98
430ZX	WHEEL LOADER	AXLE	MT-L 3055
432ZX	WHEEL LOADER	TRANSMISSION	4 WG 130
432ZX	WHEEL LOADER	TRANSMISSION	4 WG 160
432ZX	WHEEL LOADER	AXLE	MT-L 3075
455ZX	WHEEL LOADER	TRANSMISSION	4 WG 190
455ZX	WHEEL LOADER	AXLE	MT-L 3085
455ZX	WHEEL LOADER	AXLE	MT-L 3095
422ZX	WHEEL LOADER	TRANSMISSION	4 WG 115
422ZX	WHEEL LOADER	AXLE	MT-L 3065
VM 75 MIT ZF	COMPACTOR	AXLE	MT-C 3075
VM 146/166/200 MIT ZF	COMPACTOR	AXLE	MT-C 3075



CNH INDUSTRIAL

MODEL	MACHINE CLASS	COMPONENT	COMPONENT NUMBER
ALLE		TRANSMISSION	ERGOPOWER M
ALLE		AXLE	MS/MT-L 3000
ALLE		AXLE	MS/MT-L 3000
521 (CASE); W110 (NH)	WHEEL LOADER	TRANSMISSION	4 WG 130
521 (CASE); W110 (NH)	WHEEL LOADER	AXLE	MT-L 3065
621 (CASE); W130 (NH)	WHEEL LOADER	TRANSMISSION	4 WG 160
721 (CASE); W170 (NH)	WHEEL LOADER	TRANSMISSION	4 WG 190
721 (CASE); W170 (NH)	WHEEL LOADER	AXLE	MT-L 3075
721 (CASE); W170 (NH)	WHEEL LOADER	AXLE	MT-L 3085
821 (CASE); W190 (NH)	WHEEL LOADER	TRANSMISSION	4 WG 210
821 (CASE); W190 (NH)	WHEEL LOADER	AXLE	MT-L 3085
821 (CASE); W190 (NH)	WHEEL LOADER	AXLE	MT-L 3095
12D	WHEEL LOADER	TRANSMISSION	4 WG 130
12D	WHEEL LOADER	AXLE	MT-L 3065
12D	WHEEL LOADER	AXLE	MT-L 3075
CASE 845B / NH G 140 (MIT ZF-GETR.)	GRADER	TRANSMISSION	6 WG 160
CASE 865B / NH G 170 (MIT ZF)	GRADER	TRANSMISSION	6 WG 160
CASE 885B / NH G200	GRADER	TRANSMISSION	6 WG 210
836 (ALT: F106)	GRADER	TRANSMISSION	6 WG 115
856 (ALT: F156)	GRADER	TRANSMISSION	6 WG 160
ALLE		TRANSMISSION	4 WG 98 TSC
GROÙE MODELLE (CASE: 521D,621D,721D; NH: W110,W130,W170,W190B,W230,W270B)	WHEEL LOADER	TRANSMISSION	4 WG 190
GROÙE MODELLE (CASE: 521D,621D,721D; NH: W110,W130,W170,W190B,W230,W270B)	WHEEL LOADER	AXLE	MT-L 3085
521 (CASE); W110 (NH)	WHEEL LOADER	TRANSMISSION	4 WG 130
521 (CASE); W110 (NH)	WHEEL LOADER	AXLE	MT-L 3065
621 (CASE); W130 (NH)	WHEEL LOADER	TRANSMISSION	4 WG 160
621 (CASE); W130 (NH)	WHEEL LOADER	AXLE	MT-L 3065
621 (CASE); W130 (NH)	WHEEL LOADER	AXLE	MT-L 3075
721 (CASE); W170 (NH)	WHEEL LOADER	TRANSMISSION	4 WG 190
721 (CASE); W170 (NH)	WHEEL LOADER	AXLE	MT-L 3075
721 (CASE); W170 (NH)	WHEEL LOADER	AXLE	MT-L 3085
721 (CASE); W170 (NH)	WHEEL LOADER	TRANSMISSION	5 WG 190
821 (CASE); W190 (NH)	WHEEL LOADER	TRANSMISSION	4 WG 210
821 (CASE); W190 (NH)	WHEEL LOADER	AXLE	MT-L 3085
821 (CASE); W190 (NH)	WHEEL LOADER	AXLE	MT-L 3095
821 (CASE); W190 (NH)	WHEEL LOADER	TRANSMISSION	5 WG 210
1021 (CASE); W270 (NH)	WHEEL LOADER	TRANSMISSION	4 WG 260
1021 (CASE); W270 (NH)	WHEEL LOADER	AXLE	MT-L 3105
1121 (CASE); W300 (NH)	WHEEL LOADER	TRANSMISSION	4 WG 260
1121 (CASE); W300 (NH)	WHEEL LOADER	AXLE	MT-L 3115
WE150B PRO, WX148	WHEELED EXCAVATOR	TRANSMISSION	2 HL 250
WE150B PRO, WX148	WHEELED EXCAVATOR	AXLE	MS-E 3050
WE150B PRO, WX148	WHEELED EXCAVATOR	AXLE	MT-E 3050
WE170B PRO, WX168	WHEELED EXCAVATOR	TRANSMISSION	2 HL 270
WE170B PRO, WX168	WHEELED EXCAVATOR	AXLE	MS-E 3060
WE170B PRO, WX168	WHEELED EXCAVATOR	AXLE	MT-E 3060
WE190B PRO, WX188	WHEELED EXCAVATOR	TRANSMISSION	2 HL 270
WE190B PRO, WX188	WHEELED EXCAVATOR	AXLE	MS-E 3060
WE190B PRO, WX188	WHEELED EXCAVATOR	AXLE	MT-E 3060
WE210B PRO, WX218	WHEELED EXCAVATOR	TRANSMISSION	2 HL 290
WE210B PRO, WX218	WHEELED EXCAVATOR	AXLE	MS-E 3070
WE210B PRO, WX218	WHEELED EXCAVATOR	AXLE	MT-E 3070
921 (CASE); W230 (NH)	WHEEL LOADER	TRANSMISSION	4 WG 210
921 (CASE); W230 (NH)	WHEEL LOADER	AXLE	MT-L 3095
921 (CASE); W230 (NH)	WHEEL LOADER	AXLE	MT-L 3105
921 (CASE); W230 (NH)	WHEEL LOADER	TRANSMISSION	5 WG 210
836 (ALT: F106)	GRADER	TRANSMISSION	6 WG 115
856 (ALT: F156)	GRADER	TRANSMISSION	6 WG 160
CVT (STEYR)/CVX (CASE)/TVT (NEW HOLLAND)		TRANSMISSION	S-MATIC
CVT (STEYR)/CVX (CASE)/TVT (NEW HOLLAND)		AXLE	STARRACHSE
M9000	TRACTOR	AXLE	T 557



HYUNDAI

MODEL	MACHINE CLASS	COMPONENT	COMPONENT NUMBER
H930C/940C	BACKHOE LOADER	TRANSMISSION	4 WG 94
H930C/940C	BACKHOE LOADER	AXLE	MS-B 3035
H930C/940C	BACKHOE LOADER	AXLE	MT-B
HL730-9SB	WHEEL LOADER	TRANSMISSION	4 WG 130
HL740-9SB	WHEEL LOADER	TRANSMISSION	4 WG 160
HL740-9SB	WHEEL LOADER	AXLE	MT-L 3075
HL757-9SB	WHEEL LOADER	TRANSMISSION	4 WG 190
HL760-9SB	WHEEL LOADER	TRANSMISSION	4 WG 210
R130W-5	WHEELED EXCAVATOR	TRANSMISSION	2 HL 250
R130W-5 ALT	WHEELED EXCAVATOR	TRANSMISSION	2 HL 250
R130W-5 ALT	WHEELED EXCAVATOR	AXLE	MS-E 3050
R130W-5 ALT	WHEELED EXCAVATOR	AXLE	MT-E 3050
R180W-9A, R210W-9A	WHEELED EXCAVATOR	TRANSMISSION	2 HL 270
R180W-9A, R210W-9A	WHEELED EXCAVATOR	AXLE	MS-E 3070
R180W-9A, R210W-9A	WHEELED EXCAVATOR	AXLE	MT-E 3070
R140W-9A (ALT: R150W-7)	WHEELED EXCAVATOR	TRANSMISSION	2 HL 250
ALLE		TRANSMISSION	3 WG 116
ALLE		TRANSMISSION	3 WG 161
ALLE		TRANSMISSION	3 WG 171
ALLE		TRANSMISSION	3 WG 211
ALLE		TRANSMISSION	3 WG 94
ALLE		MIXER DRIVE	P 3301
ALLE		MIXER DRIVE	CML 12
HL 757-7	WHEEL LOADER	TRANSMISSION	ERGOPOWER M
HL 760-7	WHEEL LOADER	TRANSMISSION	ERGOPOWER M
HL 770-7	WHEEL LOADER	TRANSMISSION	ERGOPOWER M
HL 780-7	WHEEL LOADER	TRANSMISSION	4 WG 260
STADTBUS	CITY BUS	AXLE	AV 132
STADTBUS	CITY BUS	AXLE	RL 85 A
ROBEX 140W-7	WHEELED EXCAVATOR	TRANSMISSION	2 HL 270
30 TO		TRANSMISSION	8 EP 320
30 TO		AXLE	MT-D 3095
40 TO		TRANSMISSION	8 EP 420
40 TO		AXLE	MT-D 3105
H930C/940C	BACKHOE LOADER	TRANSMISSION	4 WG 94
H930C/940C	BACKHOE LOADER	AXLE	MS-B 3025
H930C/940C	BACKHOE LOADER	AXLE	MT-B 3070
HW 170 (ROBEX 170W-7)	WHEELED EXCAVATOR	TRANSMISSION	2 HL 290
HW 170 (ROBEX 170W-7)	WHEELED EXCAVATOR	AXLE	MS-E 3060
HW 170 (ROBEX 170W-7)	WHEELED EXCAVATOR	AXLE	MT-E 3060
HW 210 (ROBEX 200W-7)	WHEELED EXCAVATOR	TRANSMISSION	2 HL 290
HW 210 (ROBEX 200W-7)	WHEELED EXCAVATOR	AXLE	MS-E 3070
HW 210 (ROBEX 200W-7)	WHEELED EXCAVATOR	AXLE	MT-E 3070
HW 210 (ROBEX 200W-7)	WHEELED EXCAVATOR	AXLE	MT-E 3070
HL760	WHEEL LOADER	TRANSMISSION	4 WG 210
HL760	WHEEL LOADER	AXLE	MT-L 3085
HL760	WHEEL LOADER	AXLE	MT-L 3095
HL770	WHEEL LOADER	TRANSMISSION	4 WG 260
HL770	WHEEL LOADER	AXLE	MT-L 3095
HL770	WHEEL LOADER	AXLE	MT-L 3105
HL770	WHEEL LOADER	AXLE	MT-L 3105
HW 140 (ROBEX 140)	WHEELED EXCAVATOR	TRANSMISSION	2 HL 270
HW 140 (ROBEX 140)	WHEELED EXCAVATOR	AXLE	MS-E 3050
HW 140 (ROBEX 140)	WHEELED EXCAVATOR	AXLE	MT-E 3050
HL757	WHEEL LOADER	TRANSMISSION	4 WG 190
HL757	WHEEL LOADER	AXLE	MT-L 3075
HL757	WHEEL LOADER	AXLE	MT-L 3085
HL780	WHEEL LOADER	TRANSMISSION	4 WG 310
HL780	WHEEL LOADER	AXLE	MT-L 3115
HL780	WHEEL LOADER	AXLE	MT-L 3125
HL730	WHEEL LOADER	TRANSMISSION	4 WG 130
HL730	WHEEL LOADER	AXLE	MT-L 3055
HL740	WHEEL LOADER	TRANSMISSION	4 WG 160
HL740	WHEEL LOADER	AXLE	MT-L 3085
HL740	WHEEL LOADER	AXLE	MT-L 3075
ALLE		ELECTRIC DRIVE	ERGMAT



HITACHI

MODEL	MACHINE CLASS	COMPONENT	COMPONENT NUMBER
ZX130W	WHEELED EXCAVATOR	TRANSMISSION	2 HL 250
ZX130W	WHEELED EXCAVATOR	AXLE	MS-E 3050
ZX130W	WHEELED EXCAVATOR	AXLE	MT-E 3050
ZX160W	WHEELED EXCAVATOR	TRANSMISSION	2 HL 250
ZX160W	WHEELED EXCAVATOR	AXLE	MS-E 3050
ZX160W	WHEELED EXCAVATOR	AXLE	MT-E 3050
ZX180W	WHEELED EXCAVATOR	TRANSMISSION	2 HL 250
ZX180W	WHEELED EXCAVATOR	AXLE	MS-E 3050
ZX180W	WHEELED EXCAVATOR	AXLE	MT-E 3050
ZX210W-3	WHEELED EXCAVATOR	TRANSMISSION	2 HL 270
ZX210W-3	WHEELED EXCAVATOR	AXLE	MS-E 3060
ZX210W-3	WHEELED EXCAVATOR	AXLE	MT-E 3060
ALLE		TRANSMISSION	ERGOPOWER M
ALLE		AXLE	MS/MT-L 3000
ALLE		AXLE	MS-L 3065
ZX 140W-3 ALT	WHEELED EXCAVATOR	TRANSMISSION	2 HL 250
ZX 140W-3 ALT	WHEELED EXCAVATOR	AXLE	MS-E 3050
ZX 140W-3 ALT	WHEELED EXCAVATOR	AXLE	MT-E 3050
ZX170/190W-3	WHEELED EXCAVATOR	TRANSMISSION	2 HL 270
ZX170/190W-3	WHEELED EXCAVATOR	AXLE	MS-E 3060
ZX170/190W-3	WHEELED EXCAVATOR	AXLE	MT-E 3060
ZX140W-3	WHEELED EXCAVATOR	TRANSMISSION	2 HL 270
ZX140W-3	WHEELED EXCAVATOR	AXLE	MS-E 3060
ZX140W-3	WHEELED EXCAVATOR	AXLE	MT-E 3060
ZX210/220W-3	WHEELED EXCAVATOR	TRANSMISSION	2 HL 290
ZX210/220W-3	WHEELED EXCAVATOR	AXLE	MS-E 3070
ZX210/220W-3	WHEELED EXCAVATOR	AXLE	MT-E 3070
ZX145W-3	WHEELED EXCAVATOR	TRANSMISSION	2 HL 270
ZX145W-3	WHEELED EXCAVATOR	AXLE	MS-E 3060
ZX145W-3	WHEELED EXCAVATOR	AXLE	MT-E 3060
ZX140W-3/ZX140W-3	WHEELED EXCAVATOR	TRANSMISSION	2 HL 270
ZX140W-3/ZX140W-3	WHEELED EXCAVATOR	AXLE	MS-E 3060
ZX140W-3/ZX140W-3	WHEELED EXCAVATOR	AXLE	MT-E 3060
ZW120	WHEEL LOADER	TRANSMISSION	2 HL 270
ZW120	WHEEL LOADER	AXLE	MS-E 3050
ZW120	WHEEL LOADER	AXLE	MT-E 3050
ZX 140W-3 ALT	WHEELED EXCAVATOR	TRANSMISSION	2 HL 250
ZX 140W-3 ALT	WHEELED EXCAVATOR	AXLE	MS-E 3050
ZX 140W-3 ALT	WHEELED EXCAVATOR	AXLE	MT-E 3050
ZX170/190W-3	WHEELED EXCAVATOR	TRANSMISSION	2 HL 270
ZX170/190W-3	WHEELED EXCAVATOR	AXLE	MS-E 3060
ZX170/190W-3	WHEELED EXCAVATOR	AXLE	MT-E 3060
ZX140W-3	WHEELED EXCAVATOR	TRANSMISSION	2 HL 270
ZX140W-3	WHEELED EXCAVATOR	AXLE	MS-E 3060
ZX140W-3	WHEELED EXCAVATOR	AXLE	MT-E 3060
ZX210/220W-3	WHEELED EXCAVATOR	TRANSMISSION	2 HL 270
ZX210/220W-3	WHEELED EXCAVATOR	AXLE	MS-E 3070
ZX210/220W-3	WHEELED EXCAVATOR	AXLE	MT-E 3070
ZW250-5	WHEEL LOADER	TRANSMISSION	4 WG 210
ZW250-5	WHEEL LOADER	AXLE	MT-L 3085
ZW250-5	WHEEL LOADER	AXLE	MT-L 3095
ZW310-5	WHEEL LOADER	AXLE	MT-L 3095
ZW310-5	WHEEL LOADER	AXLE	MT-L 3105
ZW310-5	WHEEL LOADER	TRANSMISSION	WG 260
ZW220-5	WHEEL LOADER	TRANSMISSION	4 WG 210
ZW220-5	WHEEL LOADER	AXLE	MT-L 3085
ZW220-5	WHEEL LOADER	AXLE	MT-L 3095
ZW120	WHEEL LOADER	TRANSMISSION	2 HL 270
ZW120	WHEEL LOADER	AXLE	MS-E 3050
ZW120	WHEEL LOADER	AXLE	MT-E 3050



KOMATSU

1

MODEL	MACHINE CLASS	COMPONENT	COMPONENT NUMBER
WA 180	WHEEL LOADER	TRANSMISSION	ERGOPOWER M
WA 180	WHEEL LOADER	AXLE	MT-L 3065
GD 555-3	GRADER	TRANSMISSION	ERGOPOWER M
GD 555-3	GRADER	AXLE	MS/MT-G 3000
GD 555-3	GRADER	AXLE	MS/MT-G 3000
WA 200-5	WHEEL LOADER	TRANSMISSION	ERGOPOWER M
WA 200-5	WHEEL LOADER	AXLE	MT-L 3075
WA 320-5	WHEEL LOADER	TRANSMISSION	ERGOPOWER M
WA 320-5	WHEEL LOADER	AXLE	MT-L 3075
GD 655-5	GRADER	TRANSMISSION	ERGOPOWER M
GD 655-5	GRADER	AXLE	MS/MT-G 3000
GD 655-5	GRADER	AXLE	MS/MT-G 3000
GROÙE FAHRZEUGE (WA250-5 BIS WA500)	WHEEL LOADER	TRANSMISSION	ERGOPOWER M
GROÙE FAHRZEUGE (WA250-5 BIS WA500)	WHEEL LOADER	AXLE	MS/MT-L 3000
GROÙE FAHRZEUGE (WA250-5 BIS WA500)	WHEEL LOADER	AXLE	MS/MT-L 3000
WA115 PT-3	WHEEL LOADER	AXLE	AP KLEIN
WA115 PT-3	WHEEL LOADER	AXLE	AVG 185
WA150 PZ-5	WHEEL LOADER	AXLE	AP KLEIN
WA150 PZ-5	WHEEL LOADER	AXLE	AVG 185
WA200 PT-5	WHEEL LOADER	AXLE	AP KLEIN
WA200 PT-5	WHEEL LOADER	AXLE	AVG 185
WA200-5	WHEEL LOADER	AXLE	AP KLEIN
WA200-5	WHEEL LOADER	AXLE	AVG 185
WA50-3	WHEEL LOADER	AXLE	AP KLEIN
WA50-3	WHEEL LOADER	AXLE	AVG 185
WA65-6	WHEEL LOADER	AXLE	AP KLEIN
WA65-6	WHEEL LOADER	AXLE	AVG 185
WA70-6	WHEEL LOADER	AXLE	AP KLEIN
WA70-6	WHEEL LOADER	AXLE	AVG 185
WA80-6	WHEEL LOADER	AXLE	AP KLEIN
WA80-6	WHEEL LOADER	AXLE	AVG 185
WA90-6	WHEEL LOADER	AXLE	AP KLEIN
WA90-6	WHEEL LOADER	AXLE	AVG 185
WA100-6	WHEEL LOADER	AXLE	AP KLEIN
WA100-6	WHEEL LOADER	AXLE	AVG 185
WA250	WHEEL LOADER	TRANSMISSION	ERGOPOWER M
WA250	WHEEL LOADER	AXLE	MT-L 3075
WA320	WHEEL LOADER	TRANSMISSION	ERGOPOWER M
WA320	WHEEL LOADER	AXLE	MT-L 3065
WA320	WHEEL LOADER	AXLE	MT-L 3075
WA380	WHEEL LOADER	TRANSMISSION	ERGOPOWER M
WA380	WHEEL LOADER	AXLE	MT-L 3085
WA430	WHEEL LOADER	TRANSMISSION	ERGOPOWER M
WA430	WHEEL LOADER	AXLE	MT-L 3085
WA430	WHEEL LOADER	AXLE	MT-L 3095
WA470	WHEEL LOADER	TRANSMISSION	ERGOPOWER M
WA470	WHEEL LOADER	AXLE	MT-L 3095
WA470	WHEEL LOADER	AXLE	MT-L 3105
WA480	WHEEL LOADER	TRANSMISSION	ERGOPOWER M
WA480	WHEEL LOADER	AXLE	MT-L 3105
WA500	WHEEL LOADER	TRANSMISSION	ERGOPOWER M
WA500	WHEEL LOADER	AXLE	MT-L 3105
WA500	WHEEL LOADER	AXLE	MT-L 3115
PW140-7	WHEELED EXCAVATOR	TRANSMISSION	2 HL 290
PW140-7	WHEELED EXCAVATOR	AXLE	MS-E 3050
PW140-7	WHEELED EXCAVATOR	AXLE	MT-E 3050
PW180-7	WHEELED EXCAVATOR	TRANSMISSION	2 HL 270
PW180-7	WHEELED EXCAVATOR	AXLE	MS-E 3060
PW180-7	WHEELED EXCAVATOR	AXLE	MT-E 3060
PW180-7	WHEELED EXCAVATOR	TRANSMISSION	2 HL 270
PW180-7	WHEELED EXCAVATOR	AXLE	MS-E 3060
PW180-7	WHEELED EXCAVATOR	AXLE	MT-E 3060
PW200-7 UND PW220-7	WHEELED EXCAVATOR	TRANSMISSION	2 HL 290
PW200-7 UND PW220-7	WHEELED EXCAVATOR	AXLE	MS-E 3070
PW200-7 UND PW220-7	WHEELED EXCAVATOR	AXLE	MT-E 3070
ALLE		TRANSMISSION	ERGOPOWER S
ALLE		AXLE	MS/MT-T 3000
ALLE		AXLE	MS/MT-T 3000



KOMATSU

2

MODEL	MACHINE CLASS	COMPONENT	COMPONENT NUMBER
TYP WB 93 R-5 (RIGID)	BACKHOE LOADER	TRANSMISSION	ERGOPOWER S
TYP WB 93 R-5 (RIGID)	BACKHOE LOADER	AXLE	MS/MT-B 3000
TYP WB 93 R-5 (RIGID)	BACKHOE LOADER	AXLE	MS/MT-B 3000
TYP WB 93 S-5 (4WS)	BACKHOE LOADER	TRANSMISSION	ERGOPOWER S
TYP WB 93 S-5 (4WS)	BACKHOE LOADER	AXLE	MS/MT-B 3000
TYP WB 93 S-5 (4WS)	BACKHOE LOADER	AXLE	MS/MT-B 3000
TYP WB 97 R-5 (RIGID)	BACKHOE LOADER	TRANSMISSION	ERGOPOWER S
TYP WB 97 R-5 (RIGID)	BACKHOE LOADER	AXLE	MS/MT-B 3000
TYP WB 97 R-5 (RIGID)	BACKHOE LOADER	AXLE	MS/MT-B 3000
TYP WB 97 S-5 (RIGID)	BACKHOE LOADER	TRANSMISSION	ERGOPOWER S
TYP WB 97 S-5 (RIGID)	BACKHOE LOADER	AXLE	MS/MT-B 3000
TYP WB 97 S-5 (RIGID)	BACKHOE LOADER	AXLE	MS/MT-B 3000
WH 609	TELESCOPIC HANDLER	TRANSMISSION	ERGOPOWER S
WH 609	TELESCOPIC HANDLER	AXLE	MS/MT-T 3000
WH 609	TELESCOPIC HANDLER	AXLE	MS/MT-T 3000
WH 613	TELESCOPIC HANDLER	TRANSMISSION	ERGOPOWER S
WH 613	TELESCOPIC HANDLER	AXLE	MS/MT-T 3000
WH 613	TELESCOPIC HANDLER	AXLE	MS/MT-T 3000
WH 713	TELESCOPIC HANDLER	TRANSMISSION	ERGOPOWER S
WH 713	TELESCOPIC HANDLER	AXLE	MS/MT-T 3000
WH 713	TELESCOPIC HANDLER	AXLE	MS/MT-T 3000
WH 714	TELESCOPIC HANDLER	TRANSMISSION	ERGOPOWER S
WH 714	TELESCOPIC HANDLER	AXLE	MS/MT-T 3000
WH 714	TELESCOPIC HANDLER	AXLE	MS/MT-T 3000
WH 714H	TELESCOPIC HANDLER	TRANSMISSION	ERGOPOWER S
WH 714H	TELESCOPIC HANDLER	AXLE	MS/MT-T 3000
WH 714H	TELESCOPIC HANDLER	AXLE	MS/MT-T 3000
WH 716	TELESCOPIC HANDLER	TRANSMISSION	ERGOPOWER S
WH 716	TELESCOPIC HANDLER	AXLE	MS/MT-T 3000
(BLANK)		ELECTRIC DRIVE	ERGOMAT
PW98MR-6	WHEELED EXCAVATOR	TRANSMISSION	2 HL 250
PW98MR-6	WHEELED EXCAVATOR	AXLE	MS-E 3050
PW110R-1	WHEELED EXCAVATOR	TRANSMISSION	2 HL 250
PW110R-1	WHEELED EXCAVATOR	AXLE	MS-E 3050
TYP WB 70 A -1	BACKHOE LOADER	TRANSMISSION	ERGOPOWER S
TYP WB 70 A -1	BACKHOE LOADER	AXLE	MS/MT-B 3000
TYP WB 70 A -1	BACKHOE LOADER	AXLE	MS/MT-B 3000
ALLE		TRANSMISSION	ERGOPOWER M
GD 511/611/661	GRADER	TRANSMISSION	ERGOPOWER M
GD 511/611/661	GRADER	AXLE	MS/MT-G 3000
GD 750/825	GRADER	TRANSMISSION	ERGOPOWER M
GD 750/825	GRADER	AXLE	MS/MT-G 3000
HM-350-1	ARTICULATED DUMP TRUCK	TRANSMISSION	ERGOPOWER L
HM-350-1	ARTICULATED DUMP TRUCK	AXLE	MS/MT-D 3000
HM-350-1	ARTICULATED DUMP TRUCK	AXLE	MS/MT-E 3000
1		ELECTRIC DRIVE	ERGOMAT
WA 200- WA900	WHEEL LOADER	TRANSMISSION	ERGOPOWER M
WA 200- WA900	WHEEL LOADER	AXLE	MS/MT-L 3000
WA250	WHEEL LOADER	TRANSMISSION	ERGOPOWER M
WA250	WHEEL LOADER	AXLE	MT-L 3075
WA320	WHEEL LOADER	TRANSMISSION	ERGOPOWER M
WA320	WHEEL LOADER	AXLE	MT-L 3085
WA200	WHEEL LOADER	TRANSMISSION	ERGOPOWER M
WA200	WHEEL LOADER	AXLE	MT-L 3065
WA380-6	WHEEL LOADER	TRANSMISSION	ERGOPOWER M
WA380-6	WHEEL LOADER	AXLE	MT-L 3085
WA430-6	WHEEL LOADER	TRANSMISSION	ERGOPOWER M
WA430-6	WHEEL LOADER	AXLE	MT-L 3095
WA470-6	WHEEL LOADER	TRANSMISSION	ERGOPOWER M
WA470-6	WHEEL LOADER	AXLE	MT-L 3105



KOMATSU

3

MODEL	MACHINE CLASS	COMPONENT	COMPONENT NUMBER
WA480-6	WHEEL LOADER	TRANSMISSION	ERGOPOWER M
WA480-6	WHEEL LOADER	AXLE	MT-L 3105
WA500-6	WHEEL LOADER	TRANSMISSION	ERGOPOWER M
WA500-6	WHEEL LOADER	AXLE	MT-L 3115
WA600-3	WHEEL LOADER	TRANSMISSION	ERGOPOWER L
WA600-3	WHEEL LOADER	AXLE	MT-L 3135
WA700-6	WHEEL LOADER	TRANSMISSION	ERGOPOWER L
WA700-6	WHEEL LOADER	AXLE	MT-L 3135
WA800-3	WHEEL LOADER	TRANSMISSION	ERGOPOWER L
WA800-3	WHEEL LOADER	AXLE	MT-L 3135
WA900-3	WHEEL LOADER	TRANSMISSION	ERGOPOWER L
WA900-3	WHEEL LOADER	AXLE	MT-L 3135
HM-400-2, HM-400E-2	ARTICULATED DUMP TRUCK	TRANSMISSION	6 WG 310
HM-400-2, HM-400E-2	ARTICULATED DUMP TRUCK	AXLE	MT-D 3105
HM-300-2	ARTICULATED DUMP TRUCK	TRANSMISSION	ERGOPOWER M
HM-300-2	ARTICULATED DUMP TRUCK	AXLE	MS/MT-D 3000
WA150,200,250,320,380,430,450,480,500	WHEEL LOADER	TRANSMISSION	ERGOPOWER M
WA150,200,250,320,380,430,450,480,500	WHEEL LOADER	AXLE	MS/MT-L 3000
WA250	WHEEL LOADER	TRANSMISSION	ERGOPOWER M
WA250	WHEEL LOADER	AXLE	MT-L 3075
WA320	WHEEL LOADER	TRANSMISSION	ERGOPOWER M
WA320	WHEEL LOADER	AXLE	MT-L 3075
WA320	WHEEL LOADER	AXLE	MT-L 3085
WA380	WHEEL LOADER	TRANSMISSION	ERGOPOWER M
WA380	WHEEL LOADER	AXLE	MT-L 3085
WA430	WHEEL LOADER	TRANSMISSION	ERGOPOWER M
WA430	WHEEL LOADER	AXLE	MT-L 3085
WA430	WHEEL LOADER	AXLE	MT-L 3095
WA480	WHEEL LOADER	TRANSMISSION	ERGOPOWER M
WA480	WHEEL LOADER	AXLE	MT-L 3105
WA500	WHEEL LOADER	TRANSMISSION	ERGOPOWER M
WA500	WHEEL LOADER	AXLE	MT-L 3115
WA150	WHEEL LOADER	TRANSMISSION	ERGOPOWER M
WA150	WHEEL LOADER	AXLE	MT-L 3065
WA200	WHEEL LOADER	TRANSMISSION	ERGOPOWER M
WA200	WHEEL LOADER	AXLE	MT-L 3065
WA450	WHEEL LOADER	TRANSMISSION	ERGOPOWER M
WA450	WHEEL LOADER	AXLE	MT-L 3095
WA450	WHEEL LOADER	AXLE	MT-L 3105
ALLE		TRANSMISSION	ERGOPOWER S
ALLE		AXLE	MS/MT-B 3000
ALLE		TRANSMISSION	ERGOPOWER M
ALLE		AXLE	MS/MT-D 3000
ALLE		AXLE	MS/MT-G 3000
ALLE		AXLE	MS/MT-L 3000
WB140-2N	BACKHOE LOADER	TRANSMISSION	ERGOPOWER S
WB140-2N	BACKHOE LOADER	AXLE	MS/MT-B 3000
WB140PS-2N	BACKHOE LOADER	TRANSMISSION	ERGOPOWER S
WB140PS-2N	BACKHOE LOADER	AXLE	MS/MT-B 3000
WB150-2N	BACKHOE LOADER	TRANSMISSION	ERGOPOWER S
WB150-2N	BACKHOE LOADER	AXLE	MS/MT-B 3000
WB150AWS-2N	BACKHOE LOADER	TRANSMISSION	ERGOPOWER S
WB150AWS-2N	BACKHOE LOADER	AXLE	MS/MT-B 3000
WB150AWS-2N TURBO	BACKHOE LOADER	TRANSMISSION	ERGOPOWER S
WB150AWS-2N TURBO	BACKHOE LOADER	AXLE	MS/MT-B 3000
WB150PS-2N	BACKHOE LOADER	TRANSMISSION	ERGOPOWER S
WB150PS-2N	BACKHOE LOADER	AXLE	MS/MT-B 3000



KOMATSU

4

MODEL	MACHINE CLASS	COMPONENT	COMPONENT NUMBER
WA430	WHEEL LOADER	TRANSMISSION	ERGOPOWER M
WA430	WHEEL LOADER	AXLE	MT-L 3085
WA430	WHEEL LOADER	AXLE	MT-L 3095
WA480	WHEEL LOADER	TRANSMISSION	ERGOPOWER M
WA480	WHEEL LOADER	AXLE	MT-L 3105
WA150-6	WHEEL LOADER	TRANSMISSION	ERGOPOWER M
WA150-6	WHEEL LOADER	AXLE	MT-L 3065
WA270-7 (ALT: WA250)	WHEEL LOADER	TRANSMISSION	ERGOPOWER M
WA270-7 (ALT: WA250)	WHEEL LOADER	AXLE	MT-L 3075
WA320-7	WHEEL LOADER	TRANSMISSION	ERGOPOWER M
WA320-7	WHEEL LOADER	AXLE	MT-L 3075
WA320-7	WHEEL LOADER	AXLE	MT-L 3085
WA470-7 (ALT: WA450)	WHEEL LOADER	TRANSMISSION	ERGOPOWER M
WA470-7 (ALT: WA450)	WHEEL LOADER	AXLE	MT-L 3095
WA470-7 (ALT: WA450)	WHEEL LOADER	AXLE	MT-L 3105
WA500-7	WHEEL LOADER	TRANSMISSION	ERGOPOWER M
WA500-7	WHEEL LOADER	AXLE	MT-L 3105
WA500-7	WHEEL LOADER	AXLE	MT-L 3115
WA200-7	WHEEL LOADER	TRANSMISSION	ERGOPOWER M
WA200-7	WHEEL LOADER	AXLE	MT-L 3065
WA380-7	WHEEL LOADER	TRANSMISSION	ERGOPOWER M
WA380-7	WHEEL LOADER	AXLE	MT-L 3085

BOMAG

MODEL	MACHINE CLASS	COMPONENT	COMPONENT NUMBER
BW 212	COMPACTOR	AXLE	MT-C 3075
BW124 - BW226 (44 MODELLE)	COMPACTOR	AXLE	MT-C 3075
BW124 BIS BW 226 (44 MODELLE)	COMPACTOR	AXLE	MS/MT-C 3000
ALLE		AXLE	MS/MT-C 3000
BW124-40 SERIES	COMPACTOR	AXLE	MS/MT-C 3000
BW177-5 SERIES	COMPACTOR	AXLE	MS/MT-C 3000
BW211-50 SERIES	COMPACTOR	AXLE	MS/MT-C 3000
BW213-4I SERIES	COMPACTOR	AXLE	MS/MT-C 3000
BW124 BIS BW 226 (44 MODELLE)	COMPACTOR	AXLE	MS/MT-C 3000

KALMAR

MODEL	MACHINE CLASS	COMPONENT	COMPONENT NUMBER
REACHSTACKER, EMPTY CONTAINER STAPLER	LARGE CONTAINER HANDLERS	TRANSMISSION	ERGOPOWER L
REACHSTACKER, EMPTY CONTAINER STAPLER	LARGE CONTAINER HANDLERS	TRANSMISSION	ERGOPOWER M
REACHSTACKER, EMPTY CONTAINER STAPLER	LARGE CONTAINER HANDLERS	TRANSMISSION	5 WG 261
ALLE		ELECTRIC DRIVE	ERGOMAT
LOGHANDLER	LOGHANDLER	TRANSMISSION	4 WG 261
LOGHANDLER	LOGHANDLER	TRANSMISSION	4 WG 310
ALLE		TRANSMISSION	2 WG 94
ALLE		TRANSMISSION	3 WG 161
ALLE		TRANSMISSION	4 WG 310
ALLE		TRANSMISSION	ERGOPOWER M
ALLE		TRANSMISSION	2 WG 94
ALLE		TRANSMISSION	3 WG 161
ALLE		TRANSMISSION	ERGOPOWER M
ALLE		TRANSMISSION	5 WG 261
HEAVY FORKLIFT	LARGE CONTAINER HANDLERS	TRANSMISSION	3 WG 161
HEAVY FORKLIFT	LARGE CONTAINER HANDLERS	TRANSMISSION	4 WG 310



TEREX

MODEL	MACHINE CLASS	COMPONENT	COMPONENT NUMBER
MHL 350 H ALT	MATERIAL HANDLER	TRANSMISSION	2 HL 290
MHL460 C	MATERIAL HANDLER	TRANSMISSION	2 HL 290
SKL834 (TL80)	WHEEL LOADER	AXLE	AVG 185
SKL834 (TL80)	WHEEL LOADER	AXLE	MT-L 3020
SKS634 (TL 70S)	WHEEL LOADER	AXLE	AP KLEIN
SKS634 (TL 70S)	WHEEL LOADER	AXLE	AVG 185
SKL844 (TL100); SKS (TL 70S)	WHEEL LOADER	AXLE	AVG 185
SKL844 (TL100); SKS (TL 70S)	WHEEL LOADER	AXLE	MT-L 3020
TL 65 (FRÜHER SKL824)	WHEEL LOADER	AXLE	AVG 185
TL 65 (FRÜHER SKL824)	WHEEL LOADER	AXLE	MT-L 3015
TA-25-7	ARTICULATED DUMP TRUCK	TRANSMISSION	6 WG 210
TA-35 (ZF-GETRIEBE)	ARTICULATED DUMP TRUCK	TRANSMISSION	6 WG 310
TA 250 (EHEM.TA-27-7)	ARTICULATED DUMP TRUCK	TRANSMISSION	6 WG 260
TA 300 (EHEM.TA-30-7)	ARTICULATED DUMP TRUCK	TRANSMISSION	6 WG 310
TA-400	ARTICULATED DUMP TRUCK	AXLE	MT-D 3105
TA-400	ARTICULATED DUMP TRUCK	AXLE	MT-D 3105
TA 300	ARTICULATED DUMP TRUCK	TRANSMISSION	6 WG 310
ALLE		CONCRETE MIXER DRIVE	ECOMIX
ALLE		TRANSMISSION	4 WG 98 TC
ALLE		TRANSFER CASE	4 WG 98 TC

BELL

MODEL	MACHINE CLASS	COMPONENT	COMPONENT NUMBER
20D	ARTICULATED DUMP TRUCK	TRANSMISSION	ERGOPOWER M
315 (VON JOHN DEERE)	BACKHOE LOADER	TRANSMISSION	4 WG 94
315 (VON JOHN DEERE)	BACKHOE LOADER	AXLE	MS-B 3035
315 (VON JOHN DEERE)	BACKHOE LOADER	AXLE	MT-B

SVETRUCK

MODEL	MACHINE CLASS	COMPONENT	COMPONENT NUMBER
ALLE	LARGE CONTAINER HANDLERS	TRANSMISSION	4 WG 190
ALLE	LARGE CONTAINER HANDLERS	TRANSMISSION	4 WG 210
ALLE	LARGE CONTAINER HANDLERS	TRANSMISSION	4 WG 310
ALLE	LARGE CONTAINER HANDLERS	TRANSMISSION	ERGOPOWER L
UNBEKANNT	LARGE CONTAINER HANDLERS	ELECTRIC DRIVE	ERGOMAT



MANTRAC AFTERMARKET